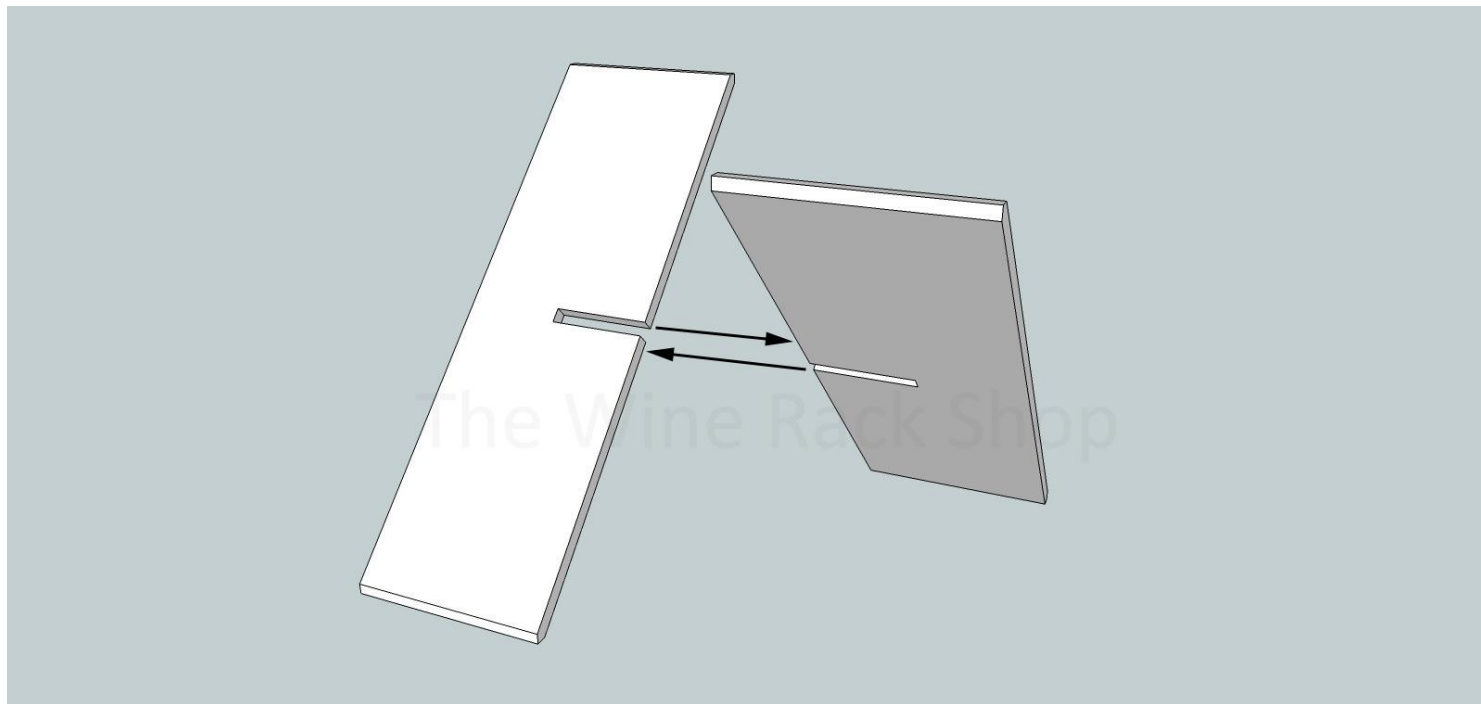
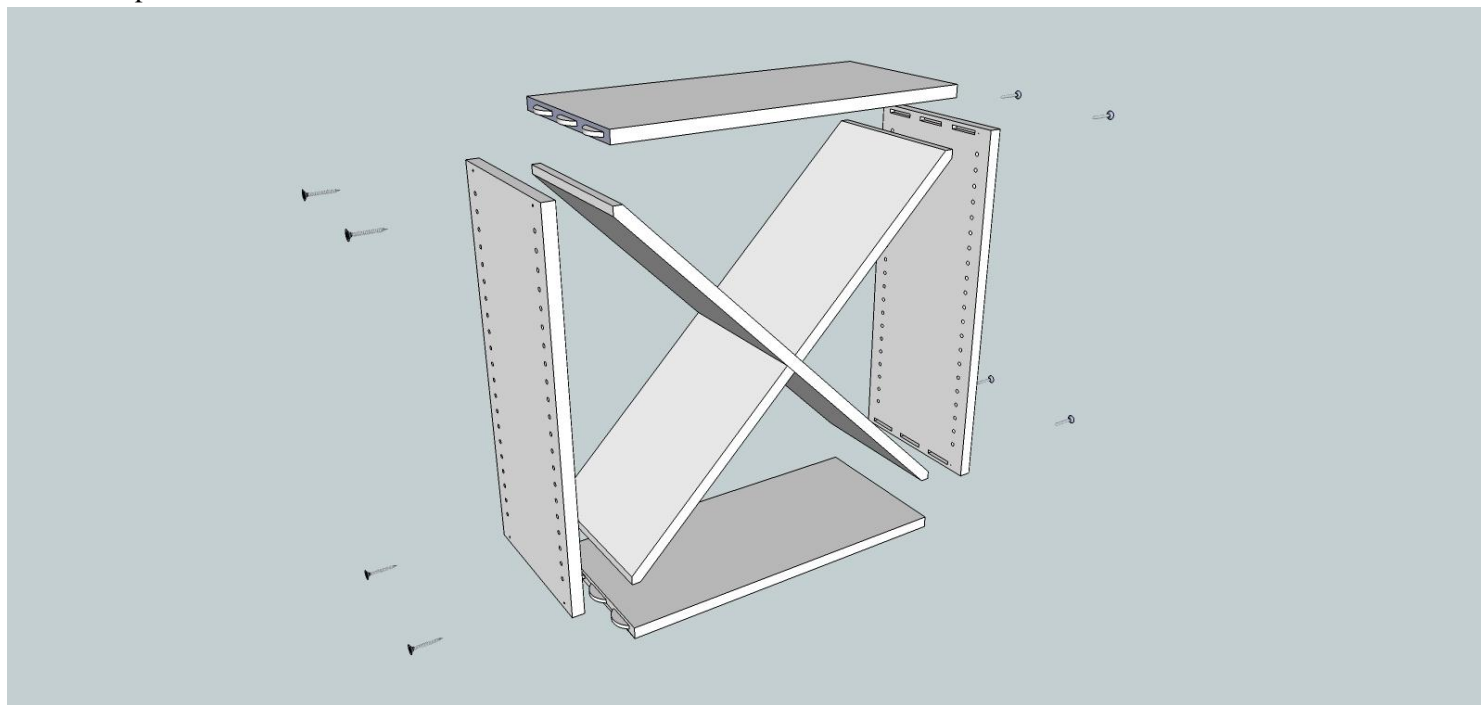


## Bin Rack Assembly Instructions:

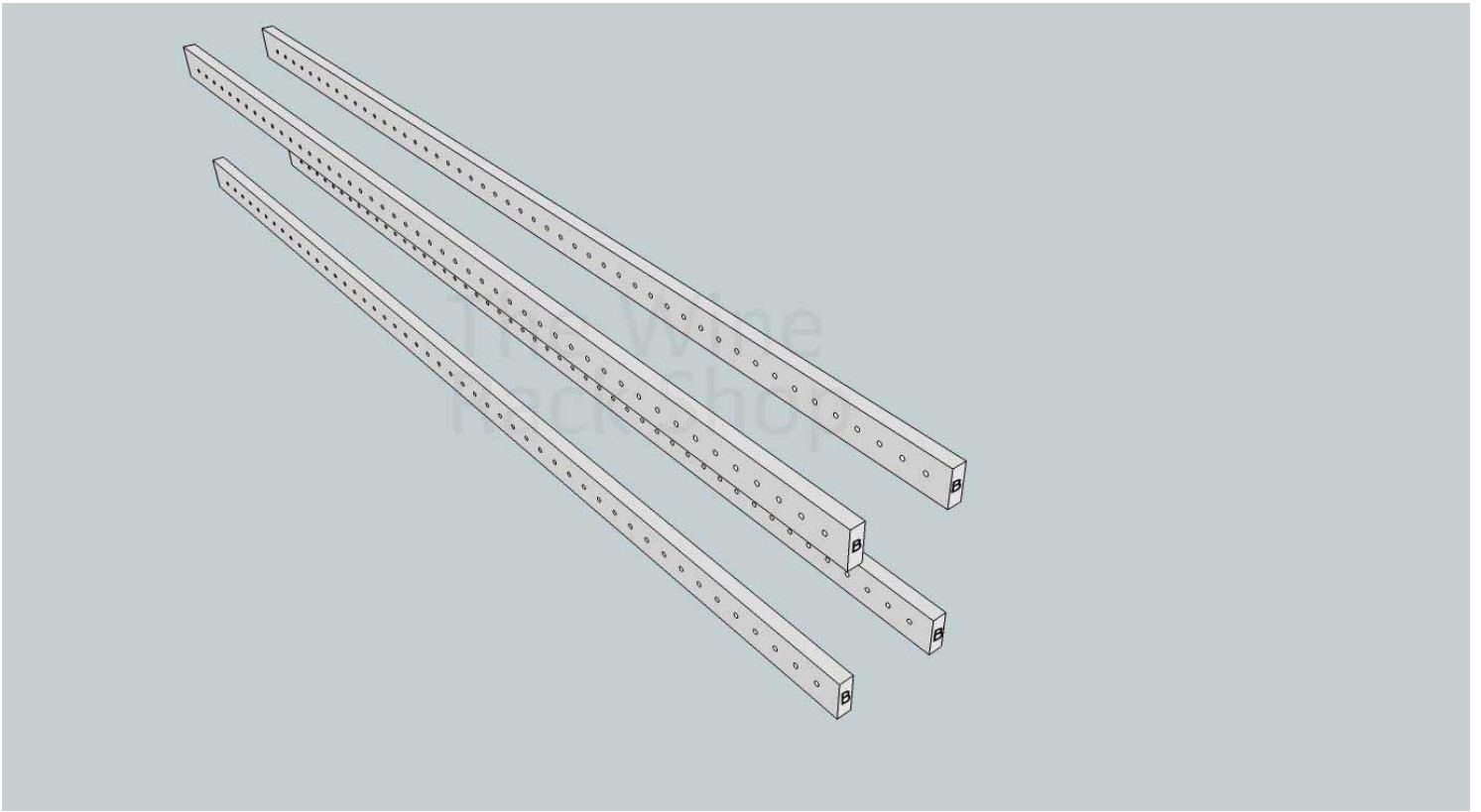
**Step 1.** Slide slots of “X” parts together to form “X” assembly of Bin.



**Step 2.** Attach box parts together using (8) wood screws provided. All holes are pre-drilled. Build box around “X” assembly done in step 1.



**Step 3.** Align all rack uprights with ends marked “B” at the same end. This end of rack uprights is the bottom of the rack and will sit on the floor.



**Step 4.** Attach completed Bin assembly to rack uprights. Bolts will pass through rack upright and the bin box. Thread nut onto bolt end on inside of bin box. Do not fully tighten if you are adding any of our shelf components to your wine rack assembly. **Repeat this step** for all 4 rack uprights.

