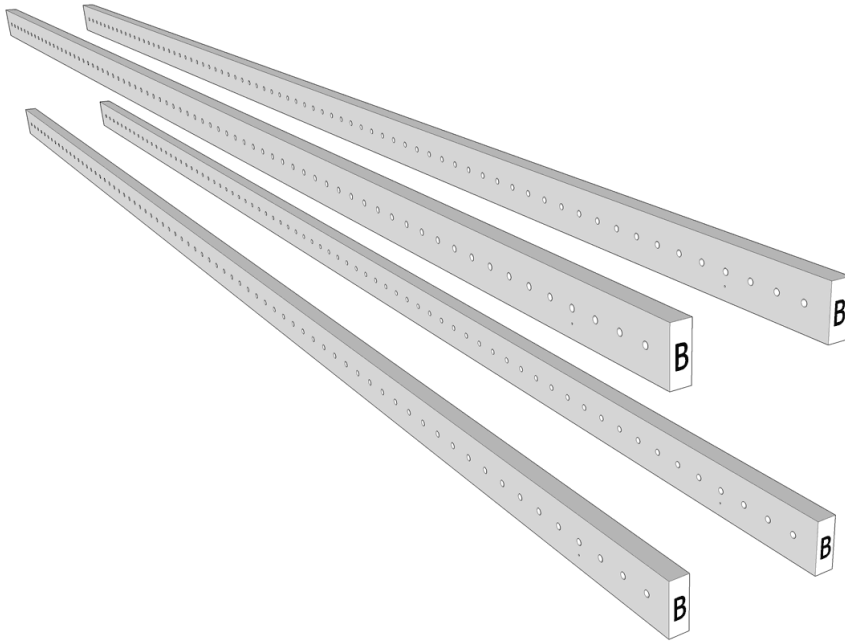
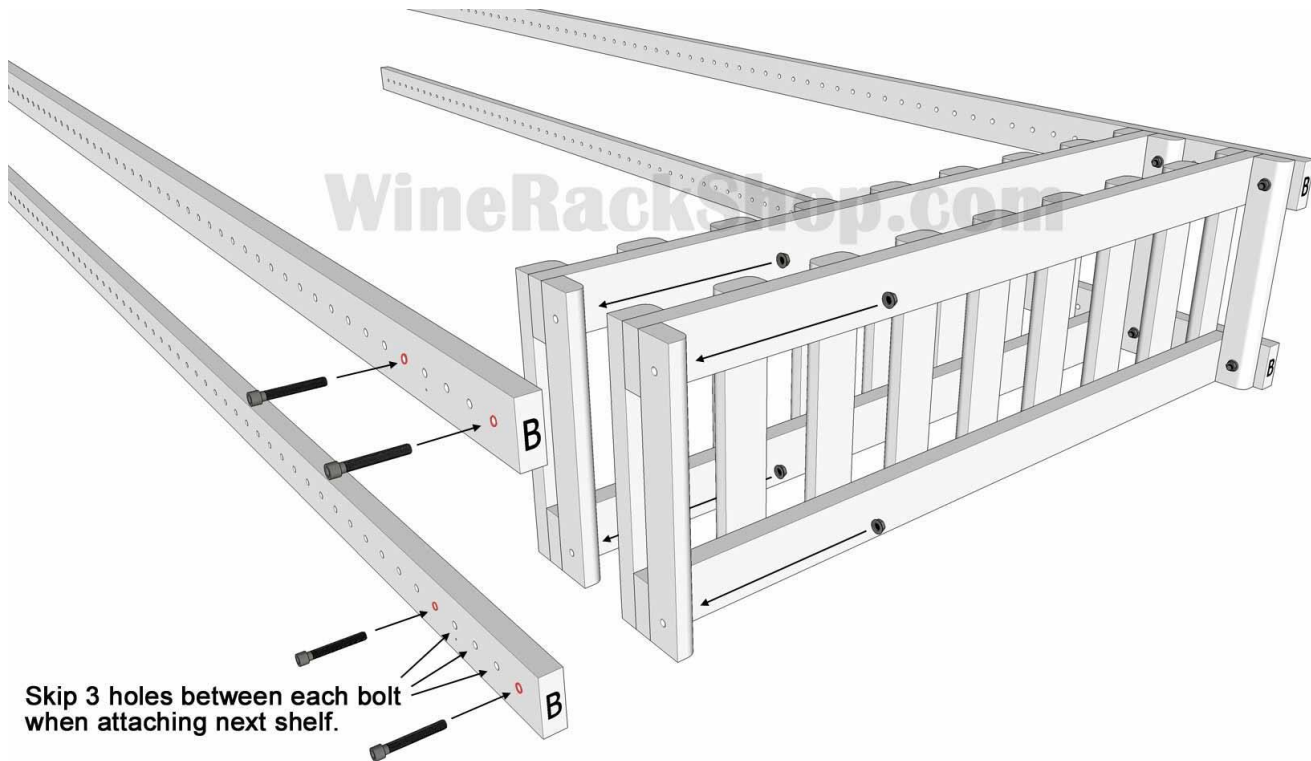


## Assembly Instructions For 112 Bottle Maple Wine Rack Cabinet With Bottle Display:

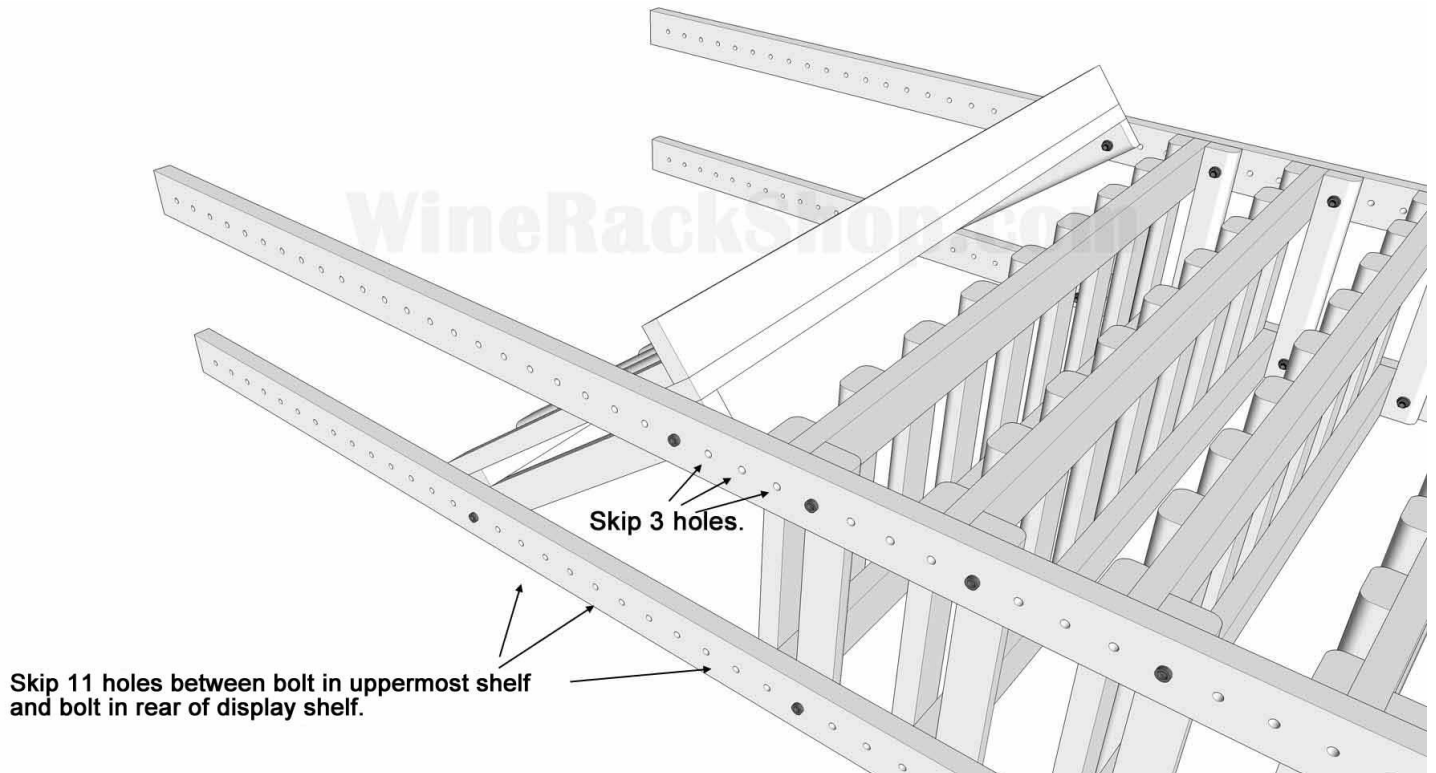
**Step 1.** Align all rack uprights with ends marked “B” at the same end. This end of rack uprights is the bottom of the rack and will sit on the baseboard.



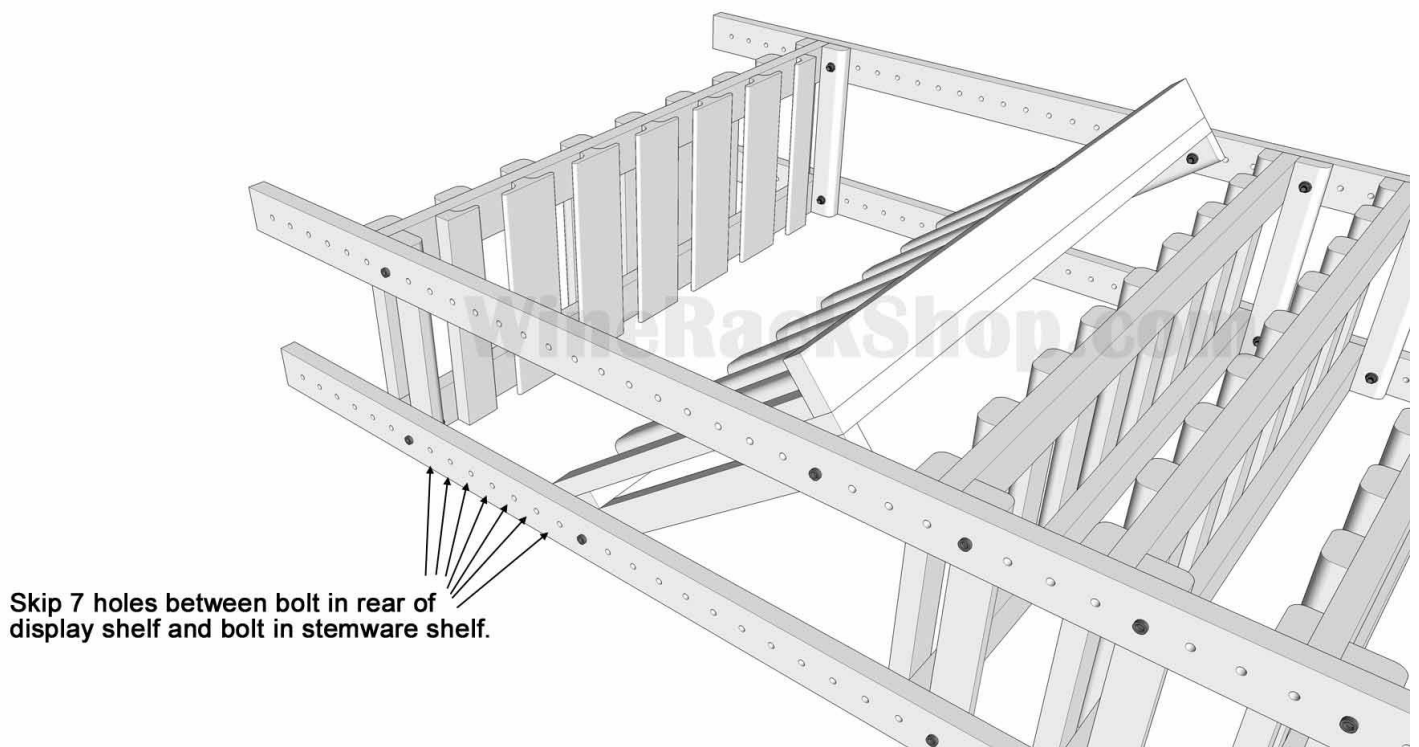
**Step 2.** Thread bolt through pre-drilled lowest(1<sup>st</sup>) rack upright hole and pre-drilled shelf hole. Hand-tighten nut on inside of shelf. Skip 3 holes between each bolt and repeat Step 2 for each shelf. Do this for all 4 rack uprights.



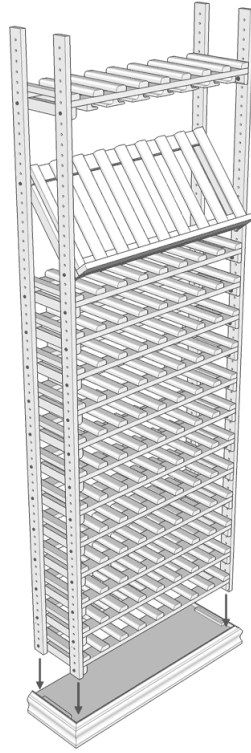
**Step 3.** Skip 3 holes between uppermost shelf bolt in front rack upright and attach lower end of display shelf. Lean display shelf toward back of rack until hole in upper end of display shelf aligns with hole in rear upright. Repeat this step for opposite side of display shelf.



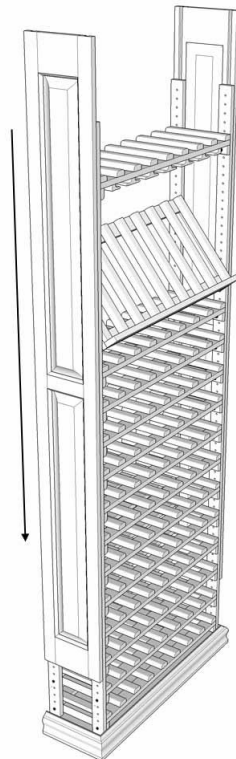
**Step 4.** Skip 7 holes between uppermost shelf bolt in rear of display shelf and attach stemware shelf to rack uprights.



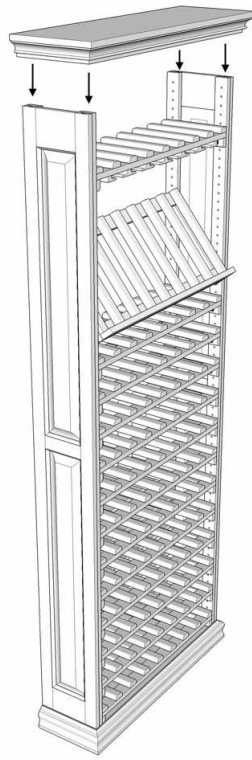
**Step 5.** Stand rack upright on level floor and tighten all bolts using Allen wrench provided. Slide assembled rack onto baseboard.



**Step 6.** Slide raised panels along rack uprights and into baseboard.



**Step 7.** Slide rack top over rack uprights and onto rack.



**Step 8.** Add wine to your rack!

