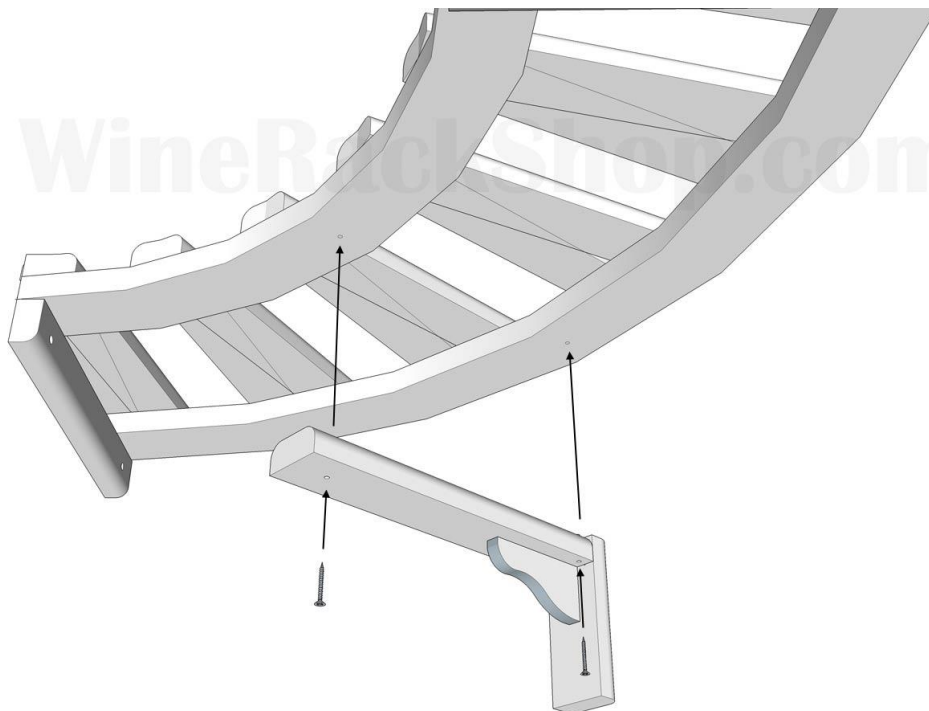


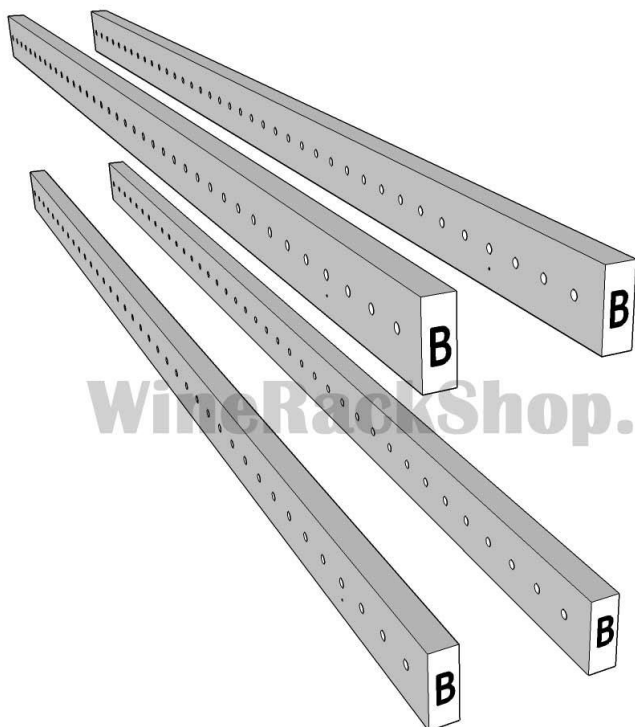
Quarter Round Rack Assembly Instructions:



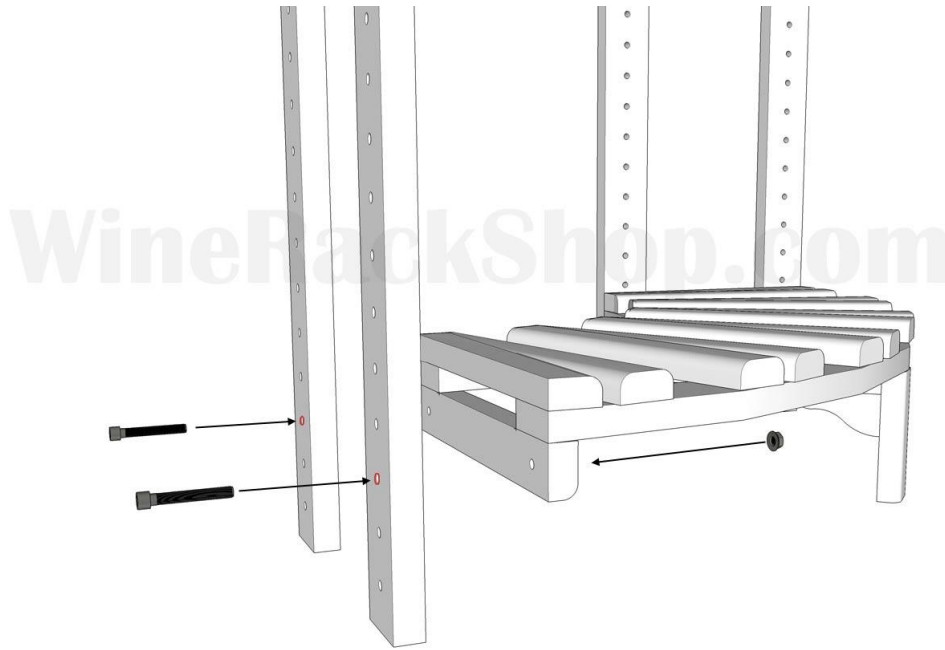
Step 1. Using screw driver and wood screws provided, attach small leg assembly to corner shelf with pre-drilled holes on underside of shelf.



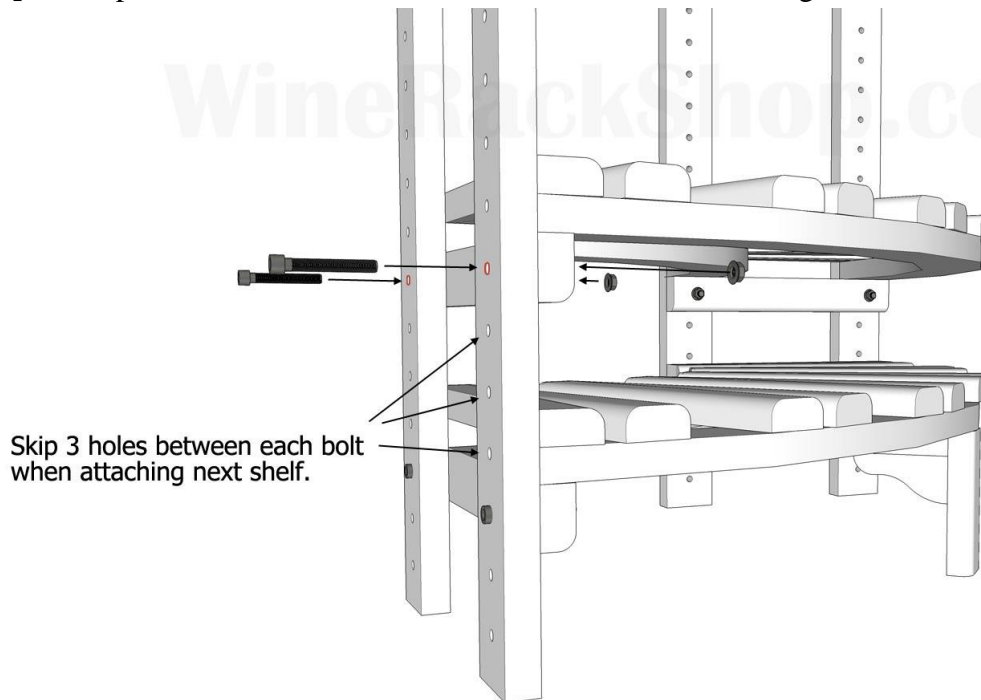
Step 2. Align all rack uprights with ends marked "B" at the same end. This end of rack uprights is the bottom of the rack and will sit on the floor.



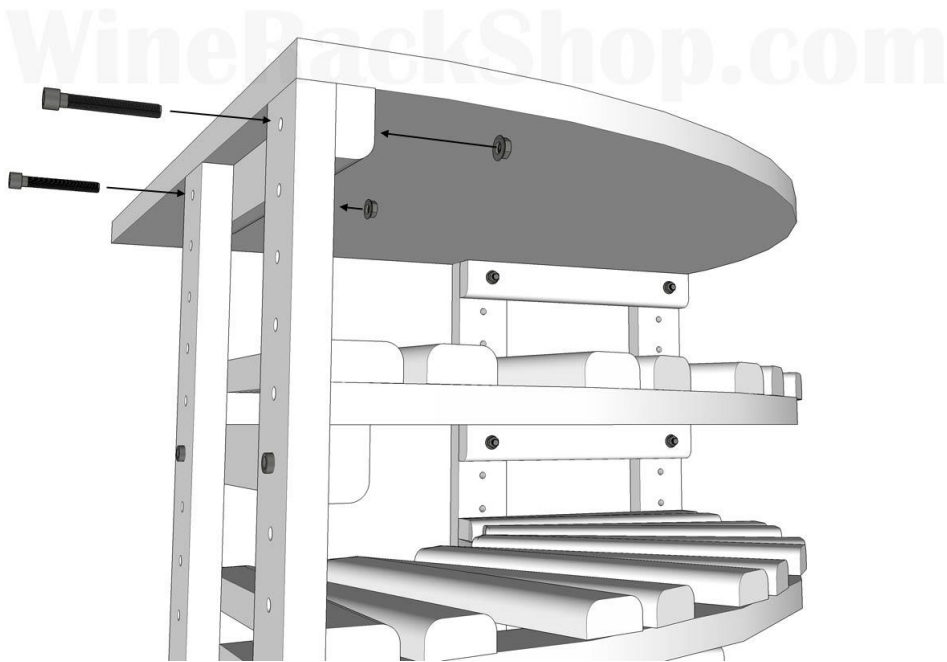
Step 3. Thread bolts through pre-drilled holes of rack uprights and attach corner shelf with small leg assembly to all 4 rack uprights. Hand-tighten nut on inside of shelf. Do not tighten bolts and nuts completely.



Step 4. Skip 3 holes between each bolt head and fasten remaining corner shelves to rack uprights.



Step 5. Fit top between the 4 rack uprights and fasten top to uppermost hole in rack uprights using the same method as previous shelves. Use Allen wrench and tighten all bolts completely. Bolt heads should sink slightly into wood rack uprights.



Step 6. Add wine to your rack.



Cherry Finish