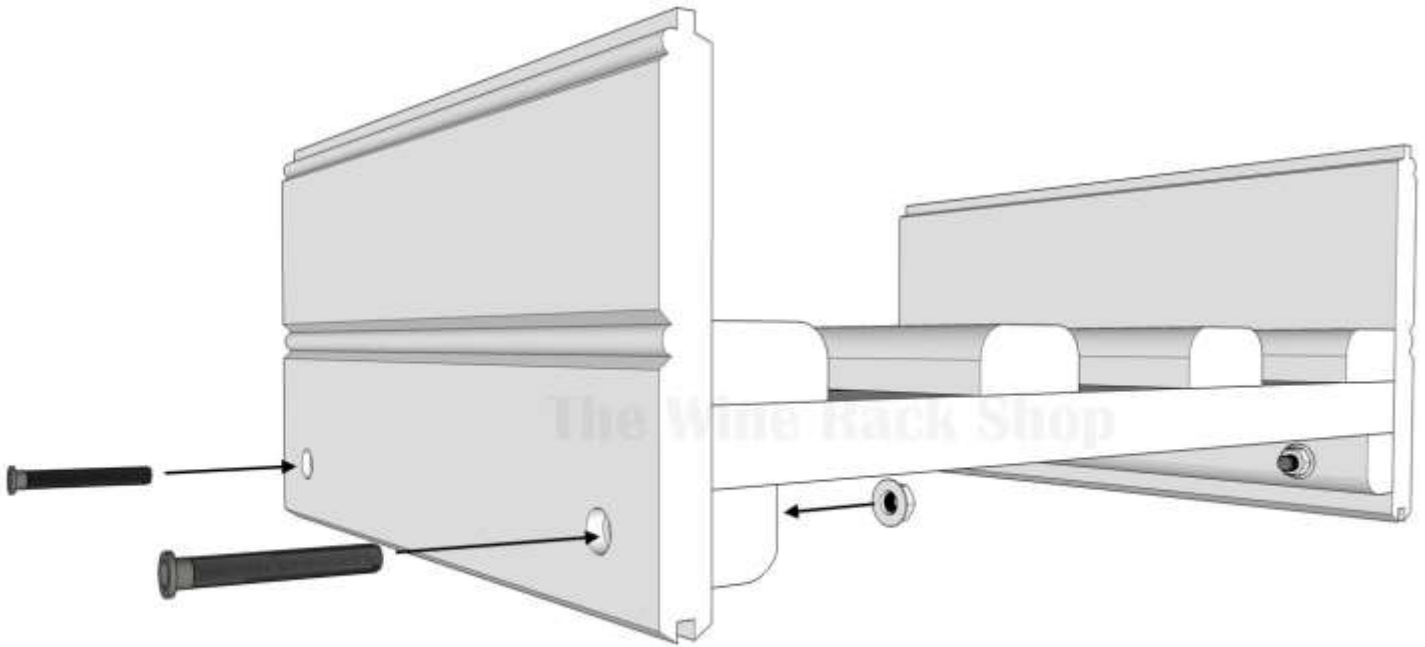
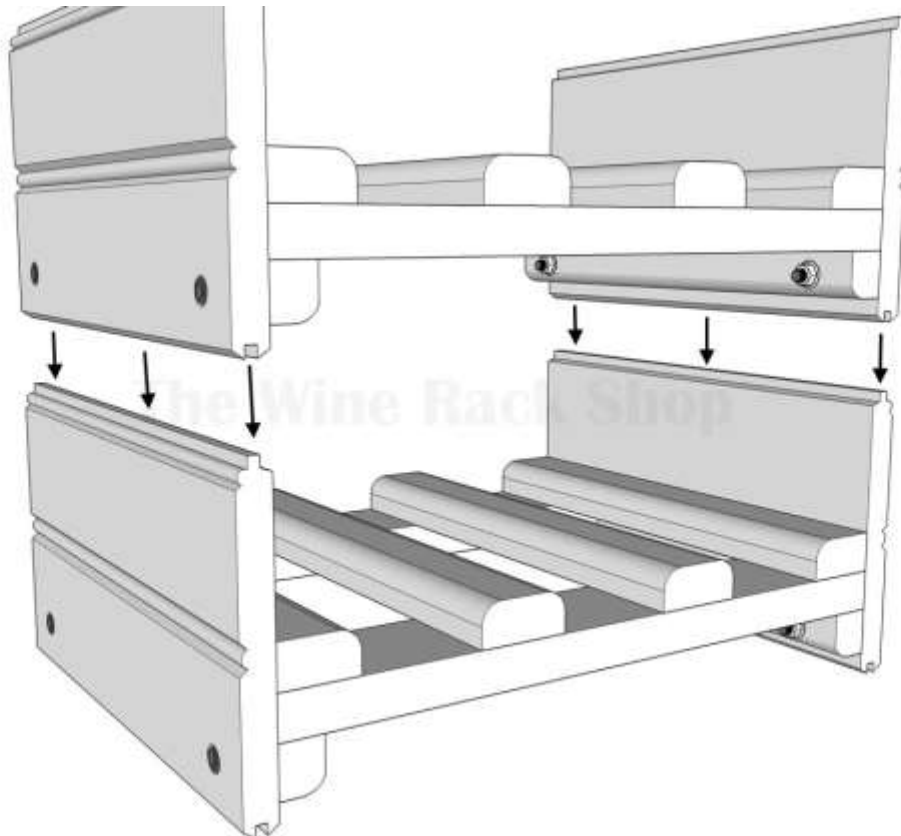


## Assembly Instructions For Stackable Shelves:

**Step 1.** Attach beadboard pieces to shelf by inserting bolts through countersunk holes in beadboard and thread nut on bolt from inside of shelf. Do this for all four holes. Tighten all bolts with Allen wrench provided.



**Step 2.** Insert beadboard tongue from lower shelf into beadboard groove in upper shelf. Repeat this step for your number of shelves.



**Step 3.** Add wine bottles to your rack!

