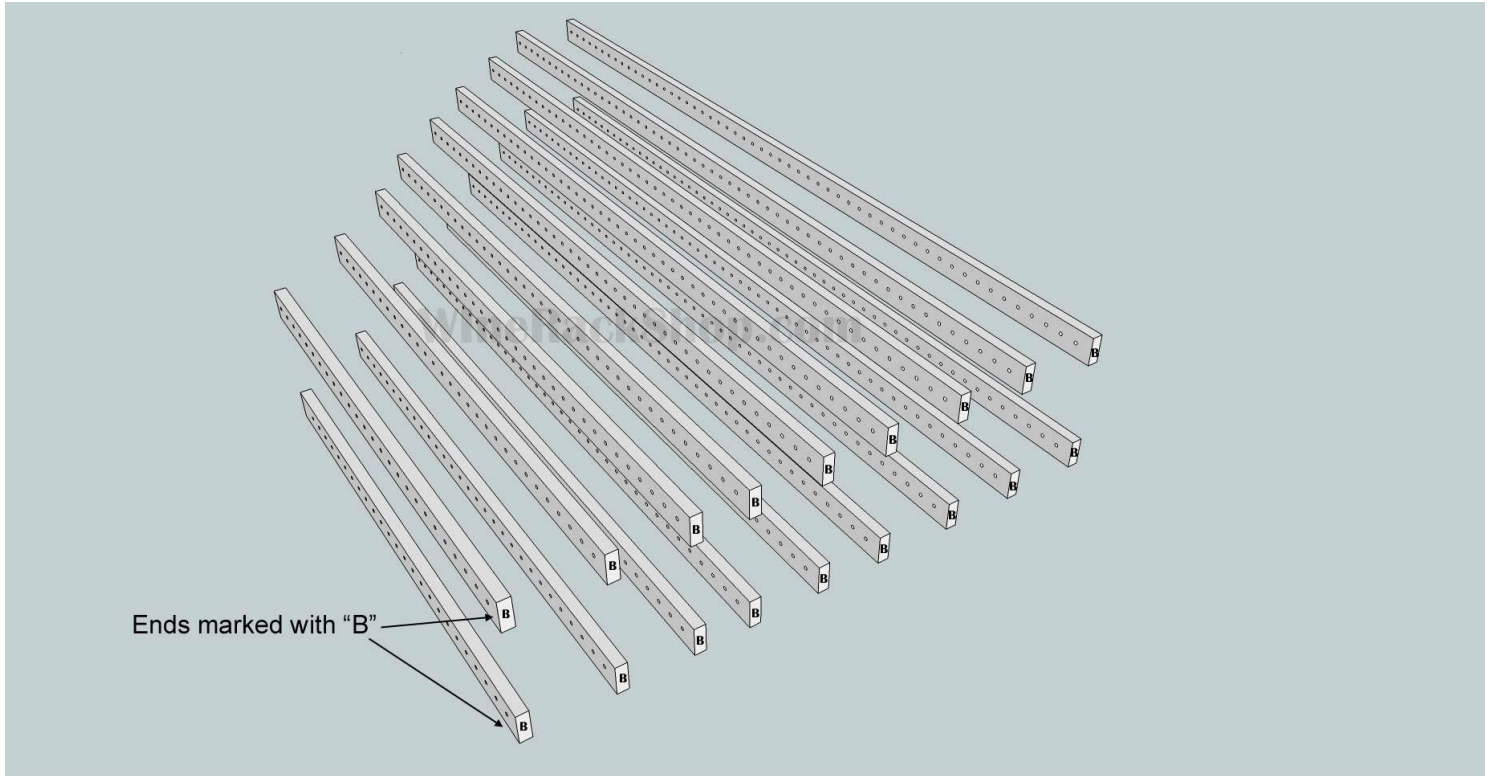
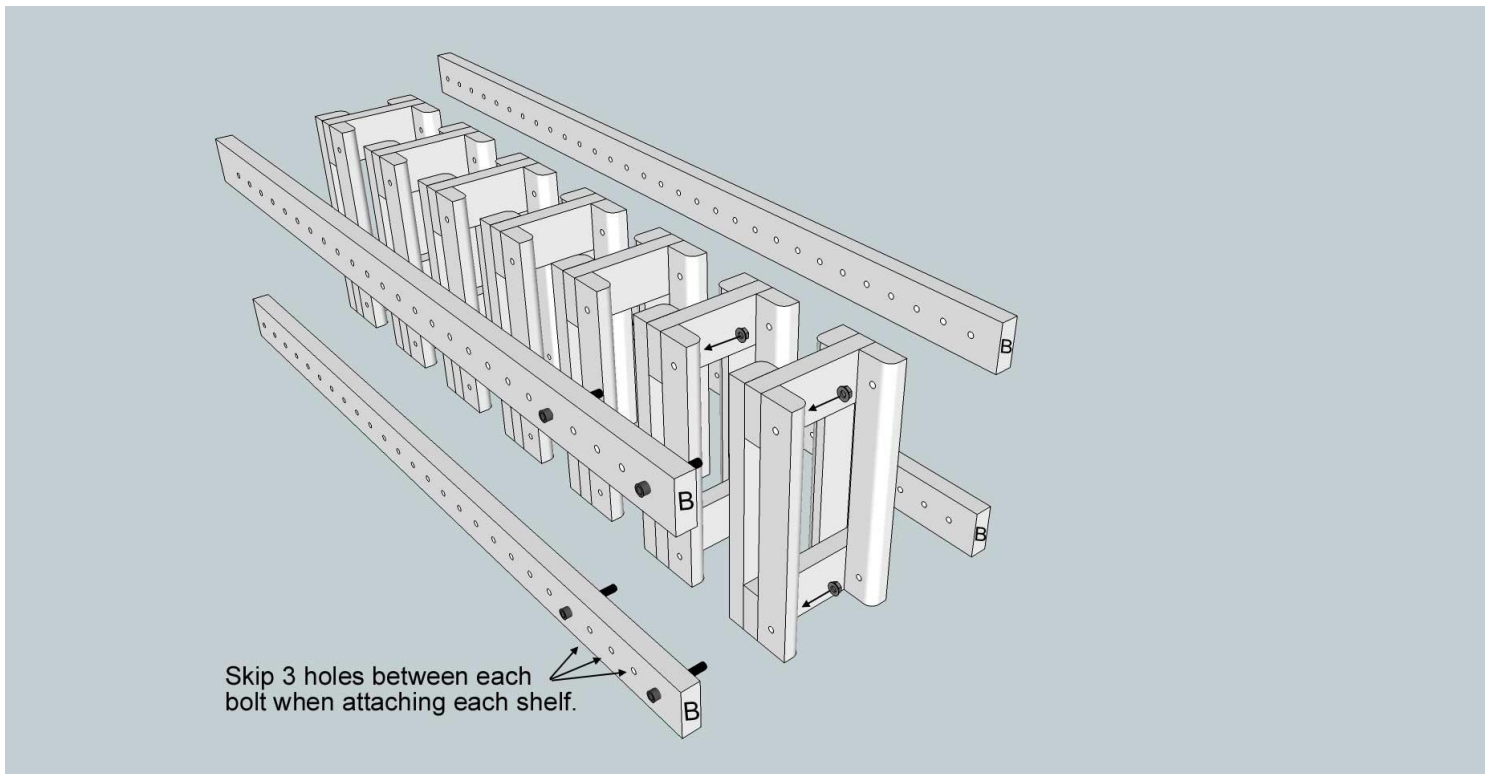


Waterfall Rack Assembly Instructions:

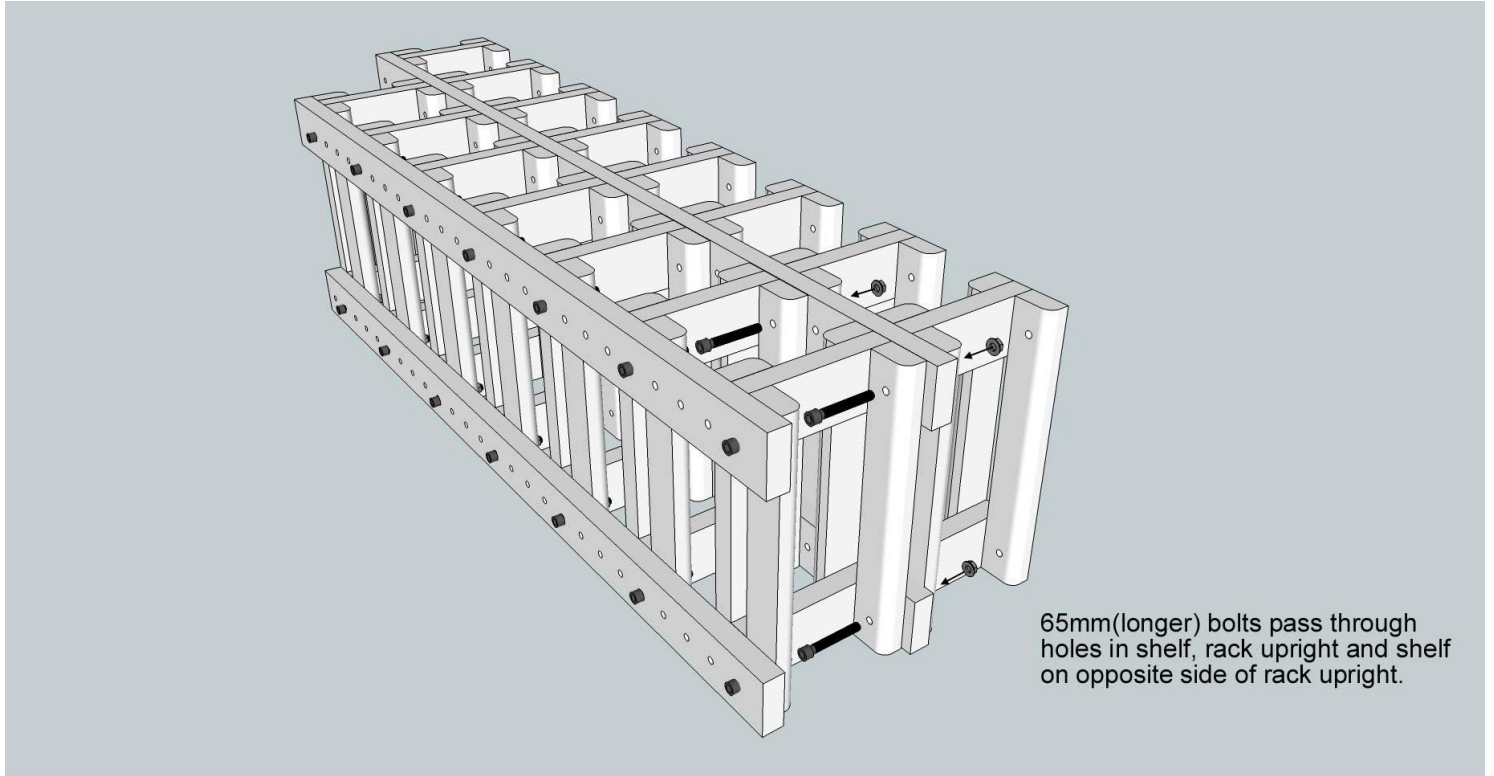
Step 1. Align all rack uprights with ends marked “B” at the same end. This end of rack uprights is the bottom of the rack and will sit on the floor.



Step 2. Using shorter bolts(45mm) attach 2 shortest rack uprights to single bottle shelves. Hand-tighten nuts.



Step 3. Using longer bolts(65mm) attach next shortest 2 rack uprights to single bottle shelves. Longer bolts will pass through a shelf hole, rack upright hole, and adjacent shelf hole. Hand-tighten nuts. Repeat step 3 for all remaining shelves and all but last 2 rack uprights.



Step 4. Repeat step 2 for last two tallest rack uprights. Stand rack upright and using provided Allen wrench tighten all bolts and nuts. Bolt heads should slightly sink into wood for maximum tightness. Add your wine bottles to rack.

